

The Disc Pump range of multi award-winning micropumps is enabling innovation across sectors from medical and life sciences, to environmental and industrial. Our pumps deliver high pressure and flow, silent operation, rapid response time, precision and ultra-smooth flow – all in a tiny package, to support product innovations through wearability, portability, and simplicity.

Key Features

- Exceptional pressure and flow
- Silent, vibration-free operation
- Ultrafast millisecond response
- Lightweight, compact form
- High-precision controllability
- True pulsation-free flow
- Infinite turn-down ratio
- Maintenance free
- RoHS compliant

Typical Applications

- Blood pressure monitoring
- Capnography
- Compression therapy
- Point-of-Care diagnostics
- Microfluidics
- Liquid handling
- Gas detection and analysis
- Leak detection
- Inkjet pressure control

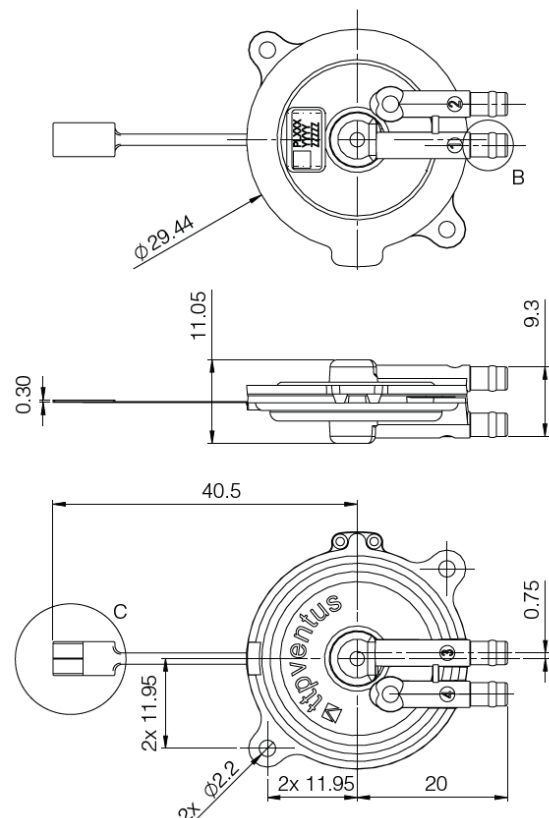
Product Line	Summary	Peak Pressure	Peak Flow	Peak Vacuum
BL Series	Entry-level pumps striking a balance between performance and cost.	> 300 mbar	> 1.70 L/min	> 200 mbar
XP Series	Highest performance and widest temperature range of -25 to +55 °C.	> 410 mbar	> 2.10 L/min	> 320 mbar
LT Series	Long life models offering 5000+ hours' continuous operation.	> 200 mbar	> 0.64 L/min	> 170 mbar

Operational	
Pumping medium	Air
Noise level	< 10 dB
Control precision	< 0.1%
Turn-down ratio	Infinite

Mechanical	
Size	30 dia. x 11 mm (approx.)
Weight	5 g

TTP Ventus is actively developing higher performance pump designs; if the performance listed above is not sufficient for your application, please contact us to discuss whether we have an alternative design that meets your requirements. Full datasheets available at ttpventus.com/products.

Performance. Precision.



Evaluation Kit

The evaluation kit comes with everything necessary to start testing, including two pumps, electronics and PC application for configuration, control and data logging. Evaluation kits are suitable for laboratory testing, proof of concept and product prototyping.



Details

Kit contents	<ul style="list-style-type: none"> 2 Disc Pumps Driver board & mains PSU Accessories kit (tubing and fittings) USB flash drive with PC application for control, configuration, and documentation
Control Interfaces	<ul style="list-style-type: none"> PC application USB-Serial interface Rotary dial 0-2.5 V analog in
Control Modes	<ul style="list-style-type: none"> Power control Closed-loop pressure control (positive and negative pressure) Bang-bang pressure control

Request a Quotation

For more information and to request a quotation, please visit ttpventus.com or contact enquiries@ttpventus.com.